

Features

- ◆ True Night vision 150 Meter
- ◆ Adaptive PELCO-P/D protocol
- ◆ IR start illumination menu can be adjusted
- ◆ Auto running memory against power outage
- ◆ RTC function, call any functions at any time
- ◆ 8 privacy masks (need the support of the camera)
- ◆ Support 128 preset positions, and support lens preset
- ◆ English OSD menu, user friendly and easily operation
- ◆ Compass function, proportional zoom and auto flip function
- ◆ Built in double devices for lightning proof and surge proof
- ◆ Adopt advanced stepper motor less heat, runs steady, no shaking
- ◆ Efficient heating device, ensure to work in -20°low temperature(Optional)
- ◆ Support multi-protocols: SONY、LG、CNB、HITACHI、SAMSUNG etc. Special protocols can be ODM
- ◆ Support 4 groups cruise scan(27 presets/group),4 group patterns, one scan, and 360°continuous scan and 360°intermittent scan
- ◆ IR lights automatically adjust the light intensity according to the zoom speed to reduce the dark angle and flashlight effect.
- ◆ The upper dome adopts 7 " aluminum alloy structure, better magnetic shield and heat radiation.
- ◆ The underpart dome adopts full metal class points bin type design, fast heat dissipation and anti-mist, noninterference light source images and long life span IR light
- ◆ 1pc superpower LED IR light+ 6 pcs LED Array IR lights. Superpower LED IR light equipped with big or small lens(the big lens' min. Angle is 5°) to secondary condense the light, this model can fully gather IR lights into small angle and emit to far distance, and the effect is excellent and night vision distance is up to 150 meters.



Camera Specification

MODEL	TVS-150RH
Resolution	2.1MP 1920 (H) X 1080 (V)
Communication mode	RS232
Protocol	SONY VISCA
Interface	9P FPC
Sensor	1/3" CMOS



The Power of ONE

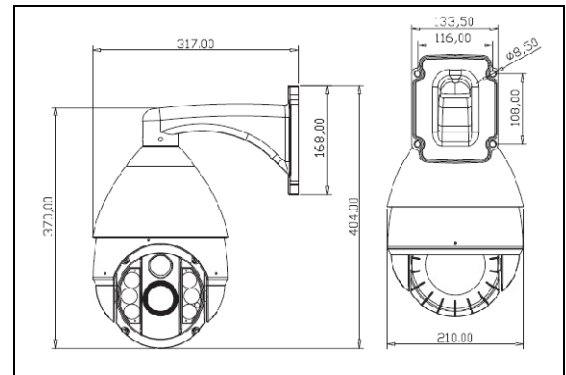


Scanning mode	Progressive scanning
Day & Night	Color/B&W/Auto
Mini illumination	Color: 0.1Lux B&W: 0.01Lux
Sync system	Inter-sync
Video out	AHD(1Vp-p 75Ω)
SNR	≥50dB (AGC OFF)
IRCUT	IRCUT
AUTO IRIS	Support
FNO./Focal Length	18X/36X , f=4.7mm~84.6mm F1.6(W)~2.7(T)
FOV	H: 54.8° (W) ~3.4° (T) V: 41° (W) ~2.5° (T)
Exposure Mode	Auto/Manual
AWB	Auto/Indoor/Outdoor/Manual
Focus mode	Auto/Manual
AGC	Auto/Manual
Picture effects	Auto/Color/B&W
Backlight compensator	ON/OFF
Mirror	Support(LR+UD)
Rollover	Support
WDR	D-WDR
DNR	2D-DNR
Shutter	1/30s~1/10,000s
Contrast	Adjust
Saturation	Adjust
Defog	Support
Corner illumination	Support
Size	50 (W) * 60 (H) * 90 (L) mm
Working Temp./Hygro.	- 10℃~50℃, 10%RH~60%RH
Storage Temp./Hygro.	- 20℃~60℃, 10%RH~80%RH
Power Voltage	DC 12V±10%
Power consumption	5W MAX
Net Weight	270g
Power Supply	Output: DC12V±5%, 5A , Input: AC100~240V 50/60Hz
Max. Power	IR off: 15W IR on: 31W
Sync system	Internal Sync
Language	English
Pan Speed	0.08°~240°/S
Tilt Speed	0.08°~240°/S
Pan Range	0°~360°(Continuous)
Tilt Range	0°~90° (180° auto flip)



As a company of innovation, TVS Security reserves the right to change product specifications without notice. For the latest product specifications, visit TVS Security online www.tvssecurity.com or contact your TVS Security sales representative.

Preset	128
Preset Accuracy	<±0.1°
Tour	4, 27 presets/tour
Pattern	4
Zone	1
Protocol	RS485
Communication	PELCO-D/P auto detected
Baud Rate	2400bps、4800bps、9600bps、19200bps
Address	1-255
RTC	Set any key at any time
IR Light switch	91T: Default::1~5 times, open the near-distance lights; 6~9 times, open the near-distance and middle-distance lights; after 10 times, turn of f the near-distance lights, open the middle-distance and far-distance lights.
Work Temperature	Indoor: 0°C~+50°C ,Outdoor : -20°C~+50°C(with heater)
Work Humidity	<90%



Ordering Information

TVS-150R	36X IR Outdoor AHD High Speed Dome 960P
TVS-150RH	36X IR Outdoor AHD High Speed Dome 1080P
TVS-150RH-IP	36X IR Outdoor IP High Speed Dome 1080P

